

# BRANCUSI G12

Designed by Cecilie Manz 2008

LIGHT  
YEARS



## Brancusi G12

The Brancusi pendant meets a wide range of technical challenges in a pure, relaxed and rounded form. The smooth curves of this lamp form harmonious and organic lines in the room, and with a little imagination they are reminiscent of a water-polished stone. The Brancusi pendant is in its element in rooms with a high ceiling, where its superior light easily illuminates the entire room and its large surface complements the dimensions of the room. Brancusi is designed to illuminate rooms with a high ceiling using a large, integrated aluminium reflector. The lamp is available in two versions. The G12 socket and metal-halogen light source is recommended for environments in which a high level of light and lower energy consumption is needed. This pendant is named after the Romanian sculptor Constantin Brancusi.

### Surface

White polycarbonate.

### Material

Shade: White polycarbonate.

Reflector: Aluminium. Bottom plate: Plexiglass

### Installation

Suspension: White pvc cable 3x0,75 mm<sup>2</sup>. Ballast: Yes, intergrated.

Canopy: White. Cable and wire length: 6 m.

Diffuser: Can be ordered separately.

### Class

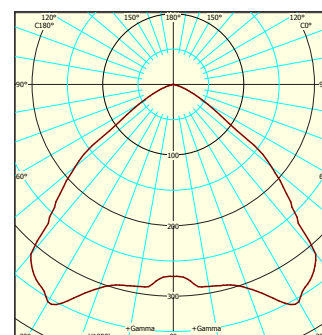
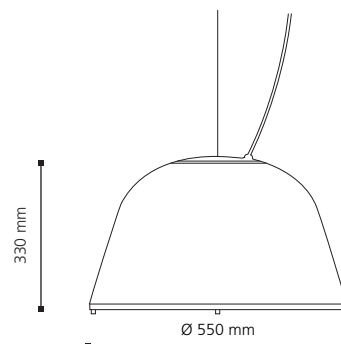
IP20,  $\overline{\text{V}}$ , Class of insulation II.

### Product family



Pendant G12

Pendant E27



Product code	EAN no.	Surface	Light source	Max light source dimensions	Total weight
74080102	5702370801052	White polycarbonate, white cord	G12 70W HCI-T	Max length: 170 mm	5,6 kg
18080240	5702370802400	Diffuser			

# BRANCUSI G12

Designed by Cecilie Manz 2008

LIGHT  
YEARS

