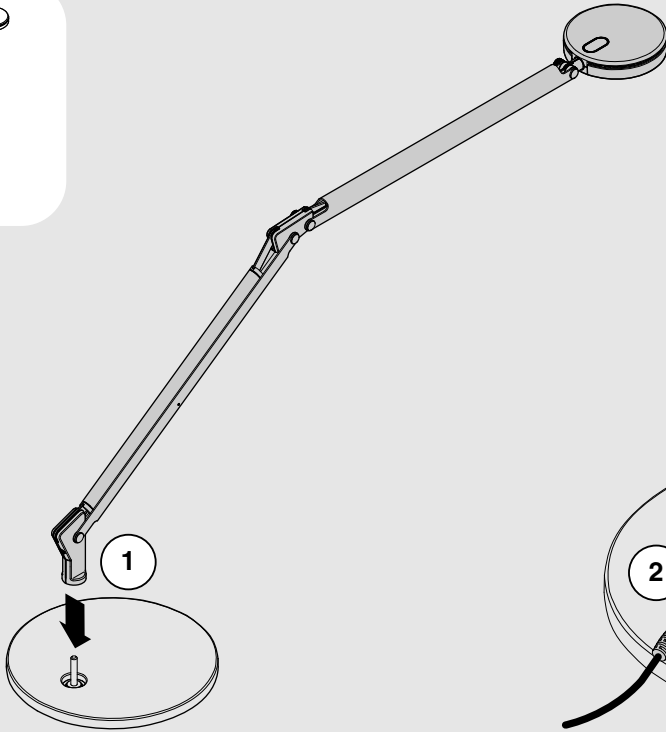
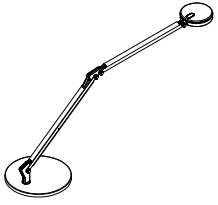
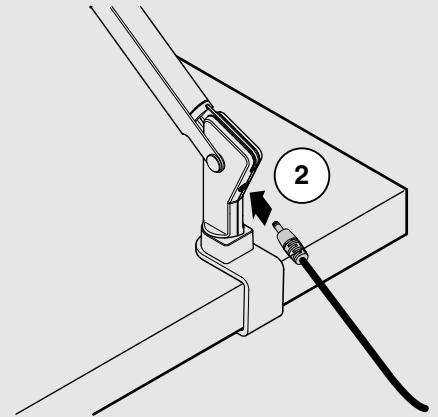
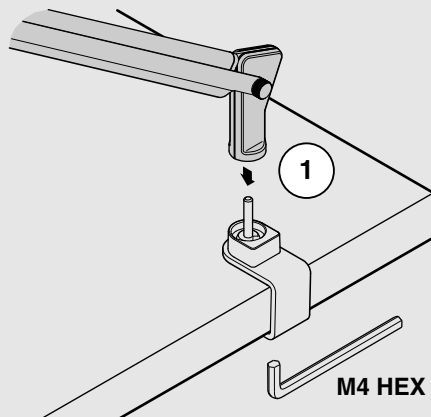
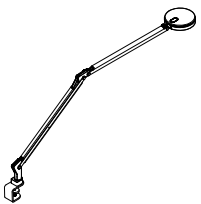


dash™ LED Light

19590601 Rev E

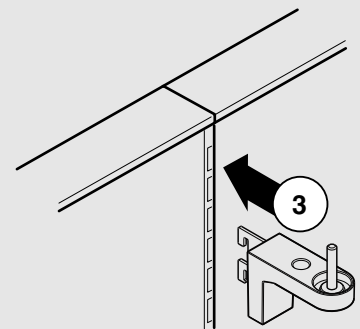
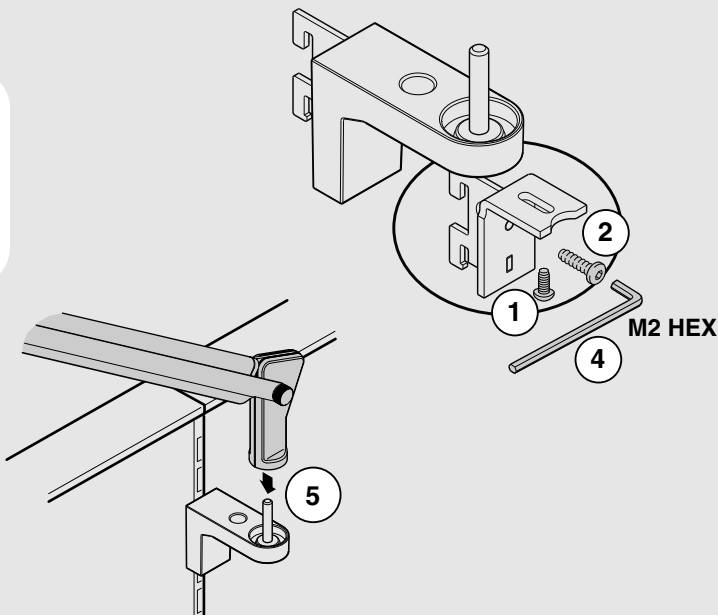
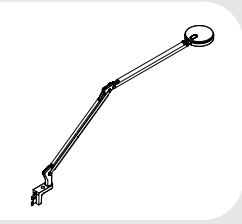
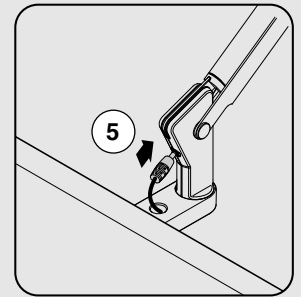
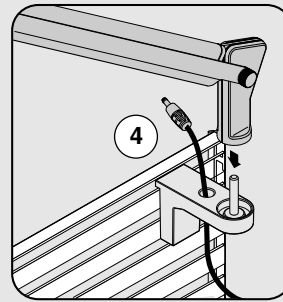
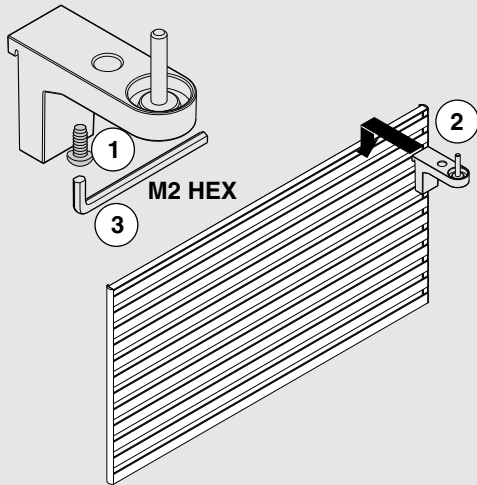
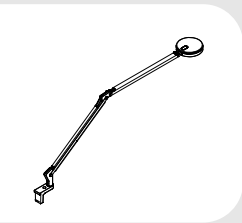
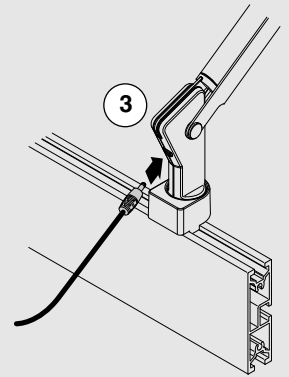
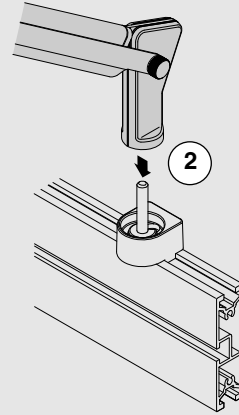
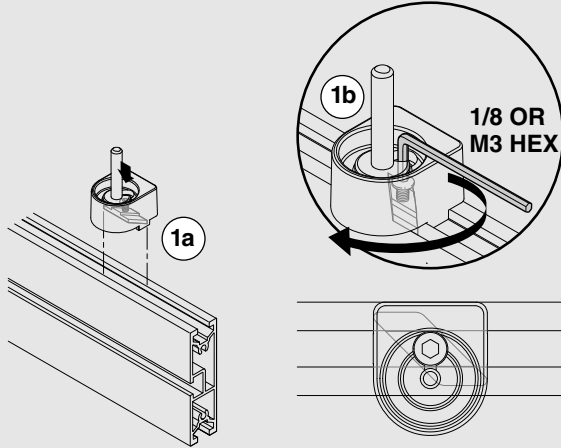


dash LED Light | Instructions



dash™ LED Light

19590601 Rev E



Use independent SELV d.c. supplied electronic controlgear for LED modules in conformity with IEC International Standard 61347-2-13 / CHARACTERISTICS

Utiliser un appareillage TBTS indépendant de type à courant constant conforme à la norme EN 61347-2-13 - CARACTERISTIQUES

Steelcase