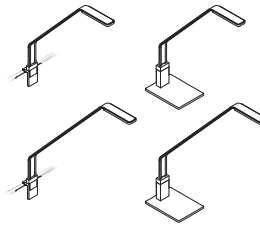


# SOTO LED Light

## Installation Instructions

18053801 Rev D Page 1 of 2

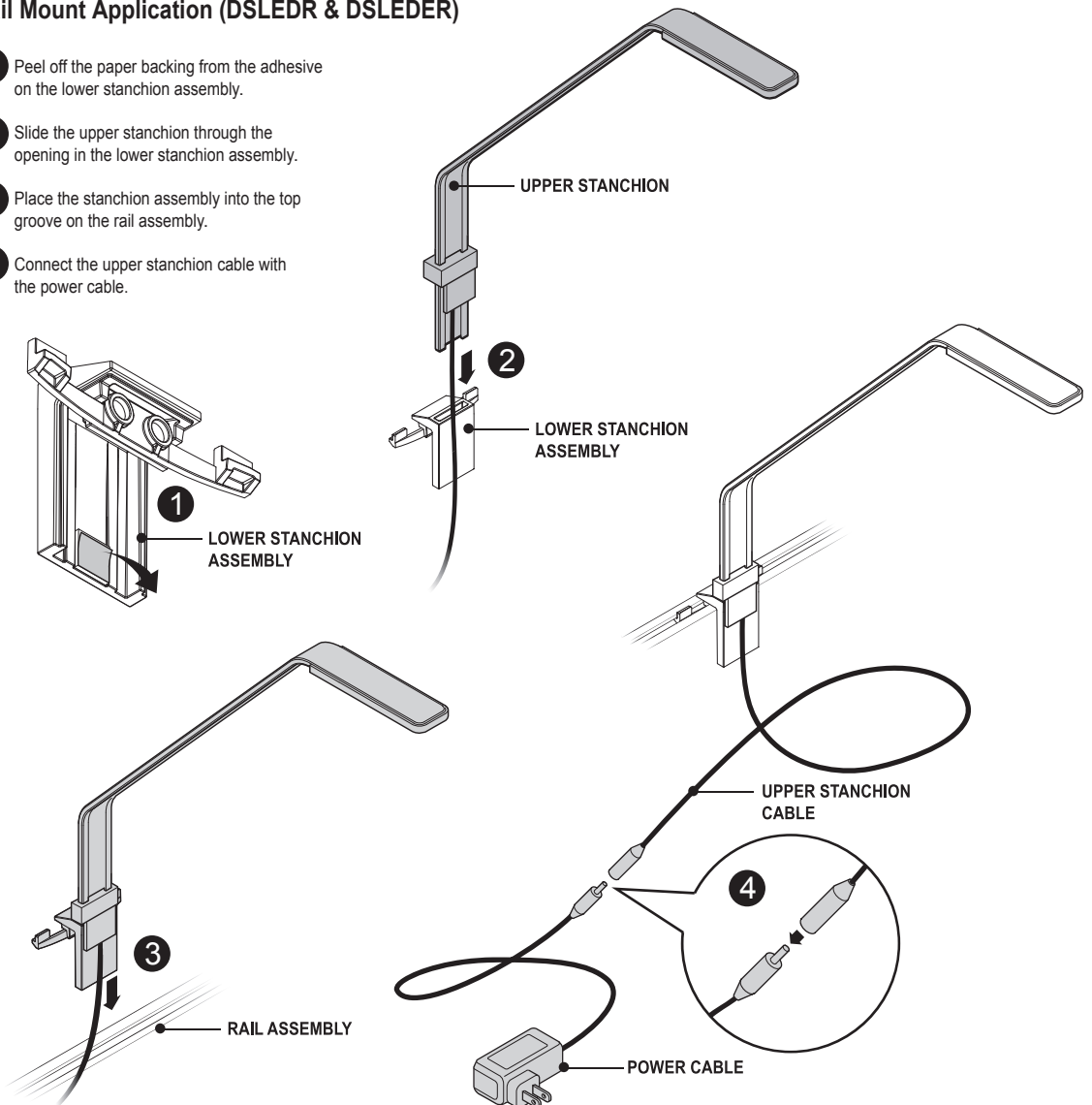


SOTO LED Light

DSLEDR  
DSLEDF  
DSLEDER  
DSLEDEF

### Rail Mount Application (DSLEDR & DSLEDER)

- 1 Peel off the paper backing from the adhesive on the lower stanchion assembly.
- 2 Slide the upper stanchion through the opening in the lower stanchion assembly.
- 3 Place the stanchion assembly into the top groove on the rail assembly.
- 4 Connect the upper stanchion cable with the power cable.



For a better day at work.™

# details®

A STEELCASE COMPANY

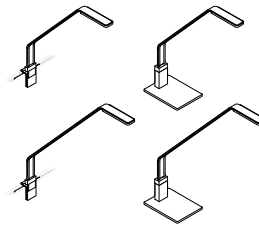
P.O. Box 1967 / CD-5E / Grand Rapids, MI 49501-1967 / [www.details-worktools.com](http://www.details-worktools.com)

©2010 Steelcase Inc. All rights reserved. 4/10

# SOTO LED Light

## Installation Instructions

18053801 Rev D Page 2 of 2



SOTO LED Light

DSLEDR  
DSLEDF  
DSLEDER  
DSLEDEF

### Freestanding Mount Application (DSLEDF & DSLEDEF)

- 1 Slide the upper stanchion cable into the top of the base assembly and out the bottom of the base assembly.
- 2 Place the upper stanchion into the opening on the base assembly.
- 3 Connect the upper stanchion cable with the power cable.

