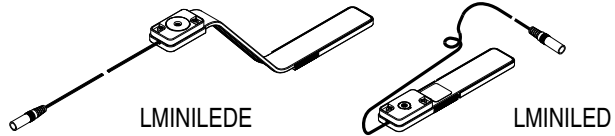


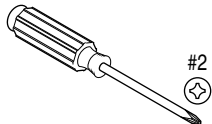
MINI LED Light Installation Instructions

18969701 Rev D Page 1 of 1

LC # 12875.000.000

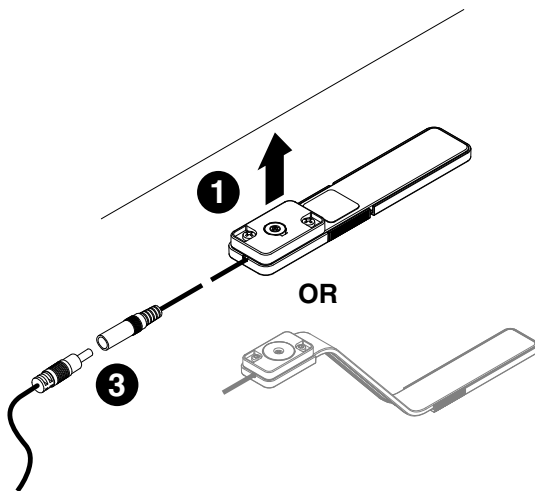


Tools:



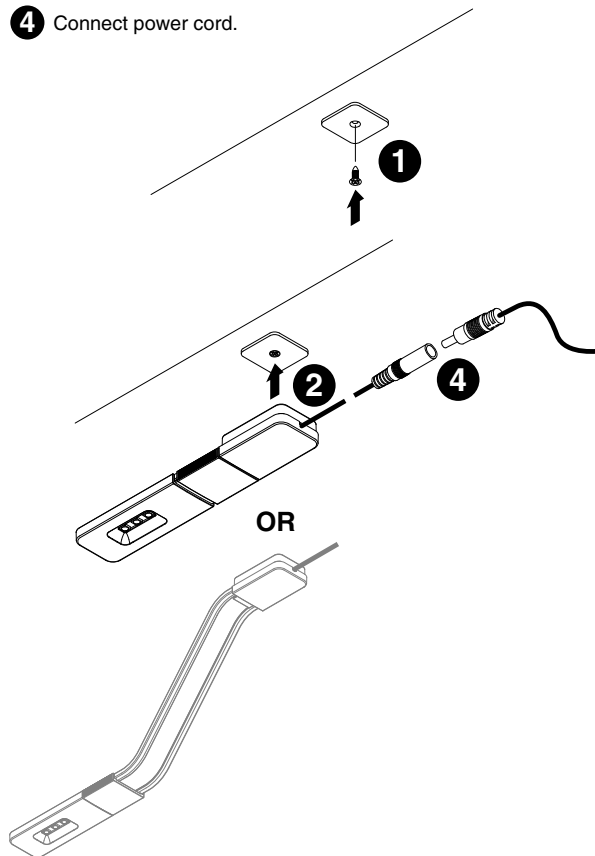
METAL SURFACE MOUNT

- 1 Attach MINI LED light to metal mounting area.
- 2 Add cord clips as needed.
- 3 Connect power cord.



NON-METAL SURFACE MOUNT

- 1 Attach the plate, in the appropriate location, with the wood screw (provided).
- 2 Place the MINI LED light onto the installed plate as shown.
- 3 Add cord clips as needed.
- 4 Connect power cord.



For a better day at work.™

details®

A STEELCASE COMPANY

P.O. Box 1967 / CD-5E / Grand Rapids, MI 49501-1967 / www.details-worktools.com

©2007 Office Details Inc. All rights reserved. Printed in U.S.A. 2/10