

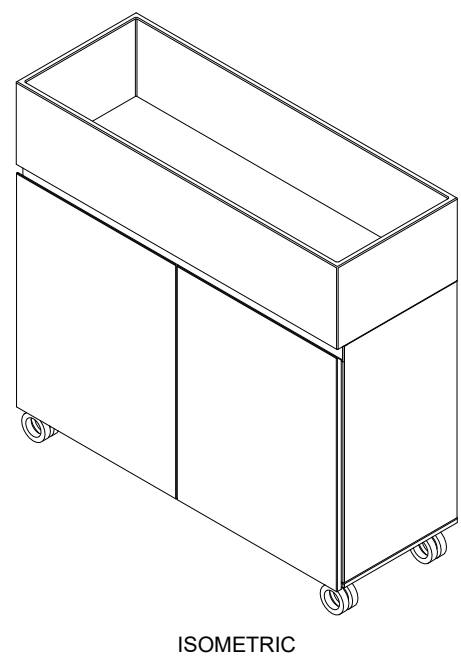
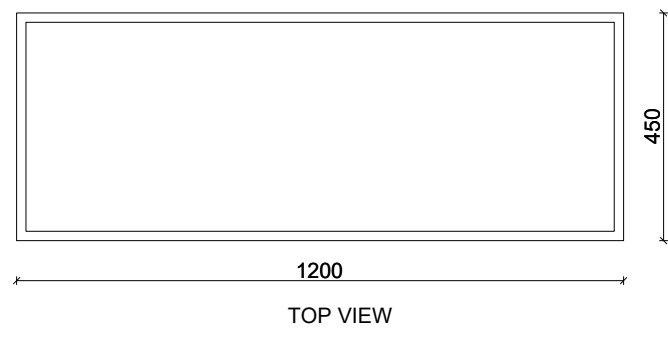
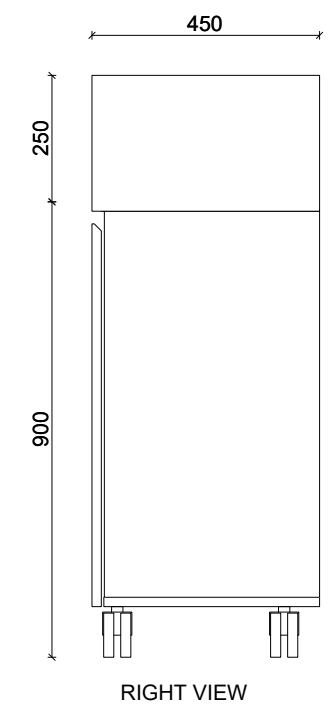
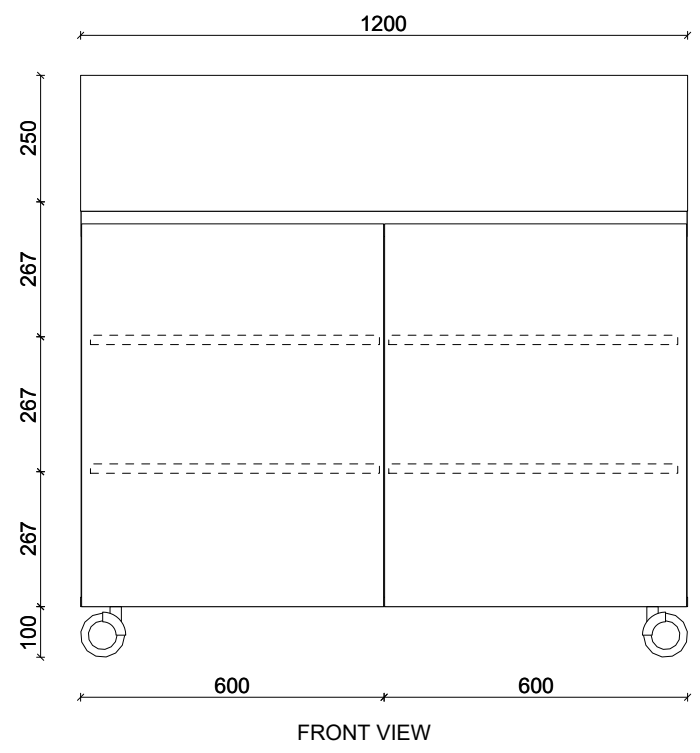
1

2

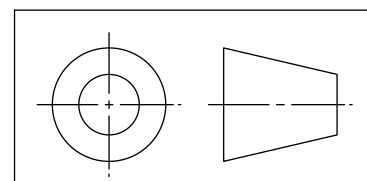
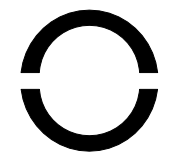
3

4

NOTES:
 1. BAY 1: DOOR
 2. BAY 2: DOOR



CLIENT			
PROJECT NO. / NAME			
PRODUCT CODE		DRAWING NO.	
DRAWING TITLE			
KURA UNIT - 1200 x 450 x 900 MM			
DRAWN	DATE	PRODUCTION	DATE
CFG	27-MAY-2021		
CHECKED	DATE	APPROVED	DATE
A3	SHEET	DRAWING SCALE	REV
	1 OF 1	1 : 15	a.0



NOMI
 ALL RIGHTS RESERVED
 THIS DRAWING IS COPYRIGHT AND REMAINS THE PROPERTY OF
 NOMI. THIS DRAWING IS ISSUED IN CONFIDENCE, AND
 MAY NOT BE ALTERED, COPIED, TRANSFERRED, SOLD OR
 OTHERWISE DISCLOSED WITHOUT WRITTEN PERMISSION
 FROM NOMI.

NOMI
 Suite 508
 19A Boundary St,
 Rushcutters Bay, NSW
 Australia, 2011

1

2

3

4

B

B

A

A