

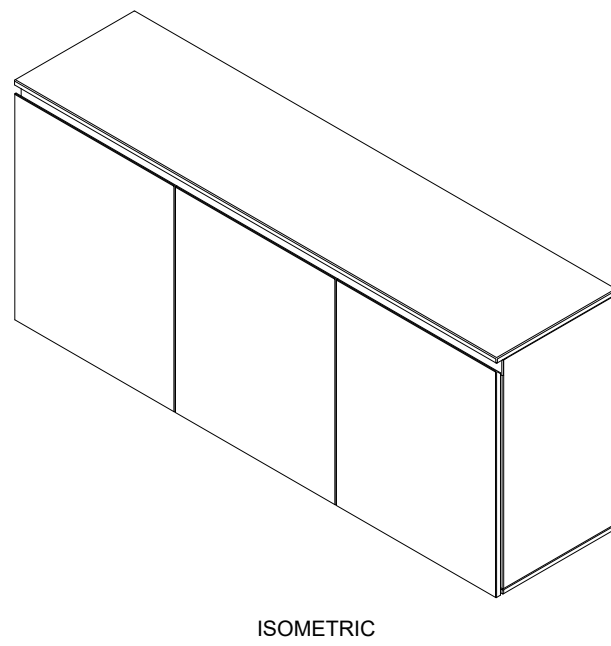
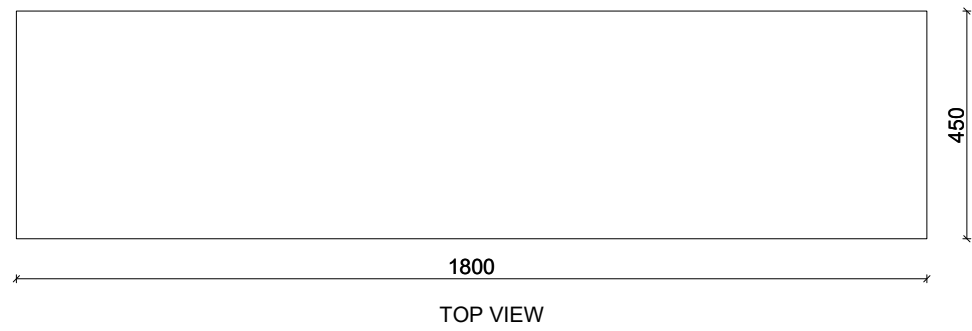
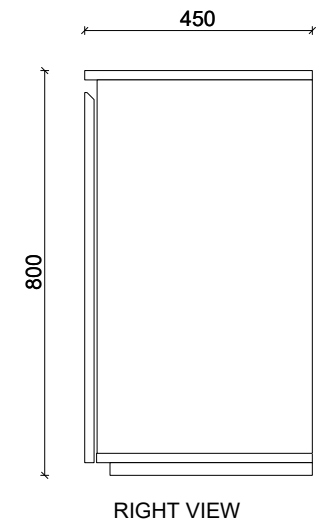
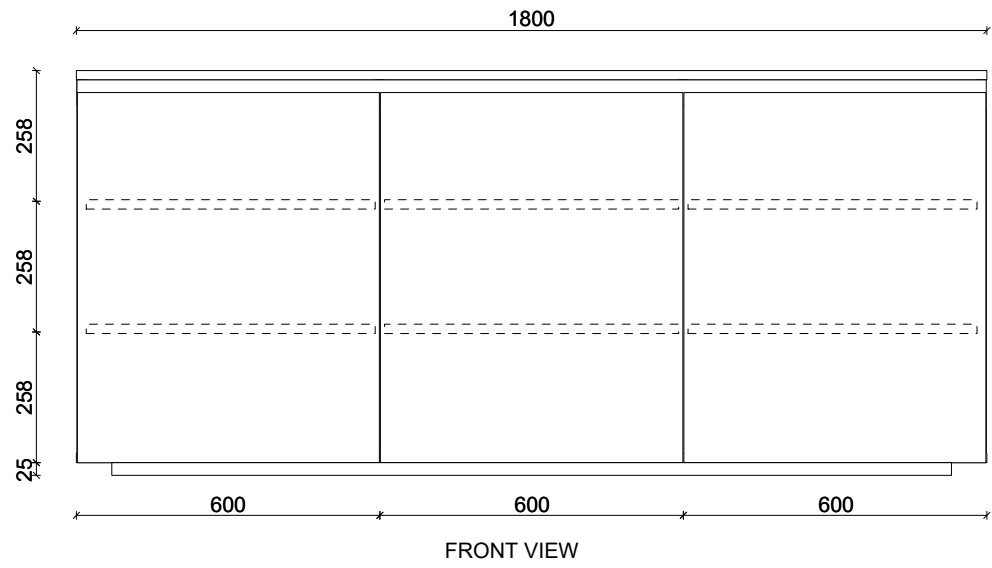
1

2

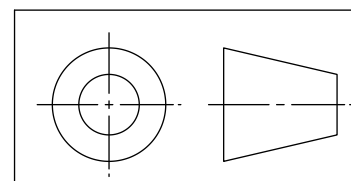
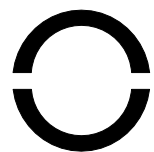
3

4

- NOTES:
- 1. BAY 1: DOOR
  - 2. BAY 2: DOOR
  - 3. BAY 3: DOOR



|                                 |             |               |      |
|---------------------------------|-------------|---------------|------|
| CLIENT                          |             |               |      |
| PROJECT NO. / NAME              |             |               |      |
| PRODUCT CODE                    |             | DRAWING NO.   |      |
| DRAWING TITLE                   |             |               |      |
| KURA UNIT - 1800 x 450 x 800 MM |             |               |      |
| DRAWN                           | DATE        | PRODUCTION    | DATE |
| CFG                             | 27-MAY-2021 |               |      |
| CHECKED                         | DATE        | APPROVED      | DATE |
|                                 |             |               |      |
| A3                              | SHEET       | DRAWING SCALE | REV  |
|                                 | 1 OF 1      | 1 : 15        | a.0  |



NOMI  
ALL RIGHTS RESERVED  
THIS DRAWING IS COPYRIGHT AND REMAINS THE PROPERTY OF  
NOMI. THIS DRAWING IS ISSUED IN CONFIDENCE, AND  
MAY NOT BE ALTERED, COPIED, TRANSFERRED, SOLD OR  
OTHERWISE DISCLOSED WITHOUT WRITTEN PERMISSION  
FROM NOMI.

**NOMI**  
Suite 508  
19A Boundary St,  
Rushcutters Bay, NSW  
Australia, 2011

1

2

3

4

B

B

A

A