

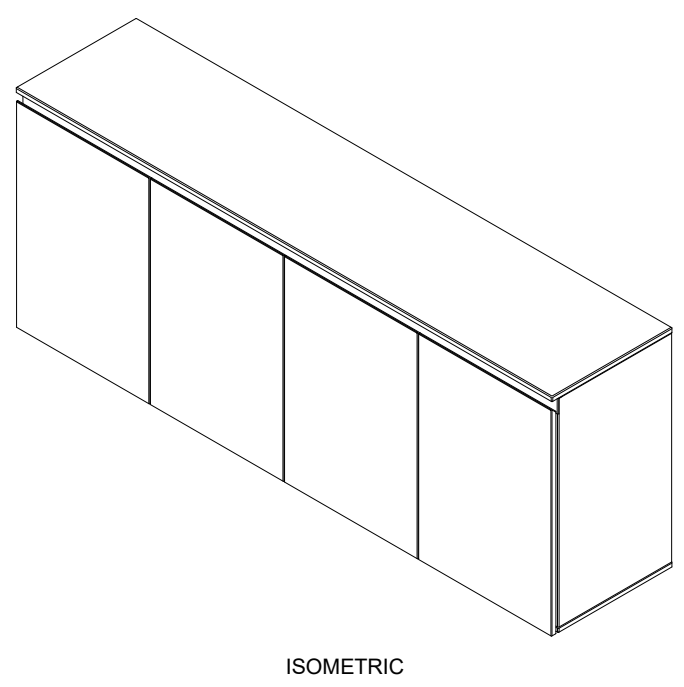
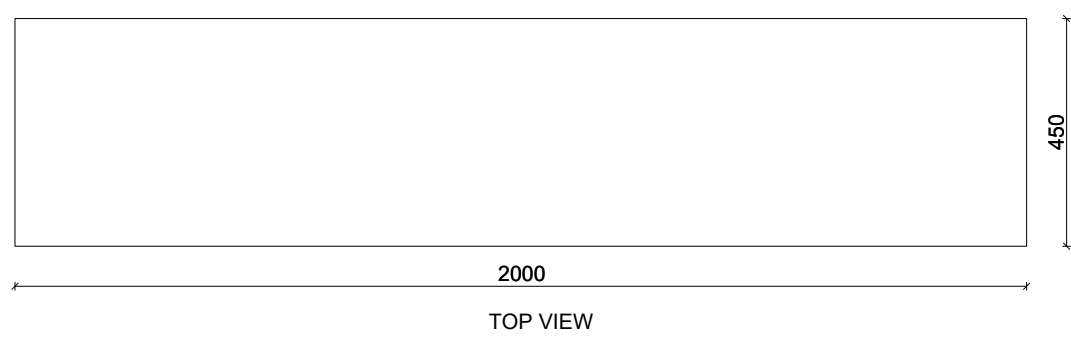
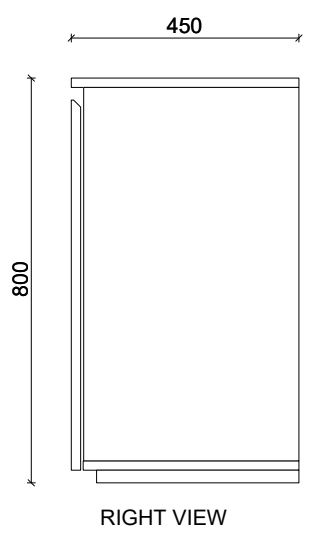
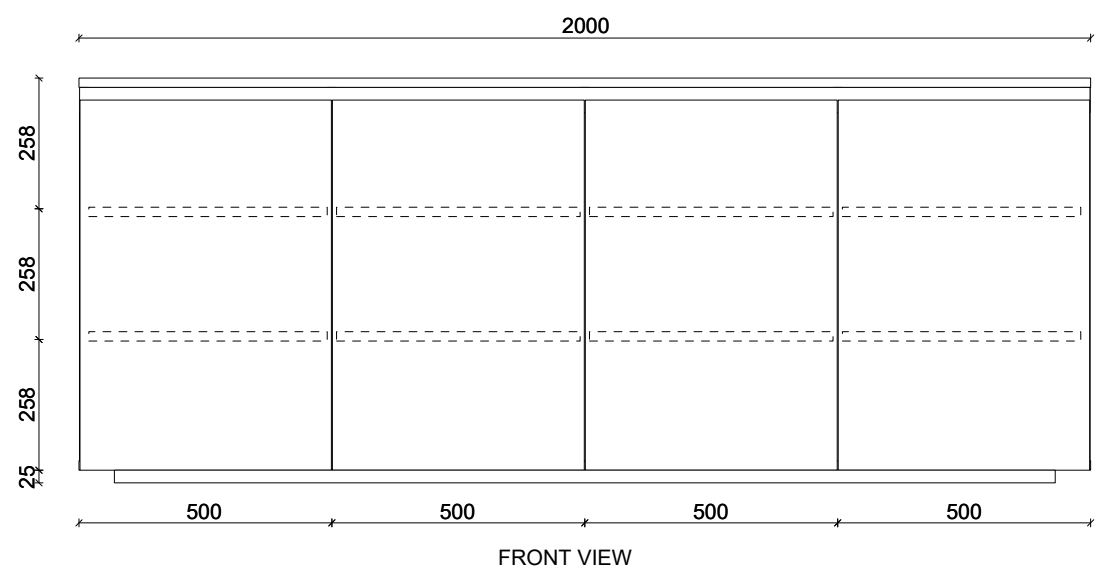
1

2

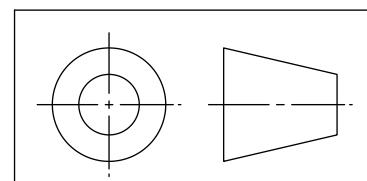
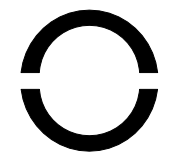
3

4

- NOTES:
- 1. BAY 1: DOOR
 - 2. BAY 2: DOOR
 - 3. BAY 3: DOOR
 - 4. BAY 4: DOOR



CLIENT			
PROJECT NO. / NAME			
PRODUCT CODE		DRAWING NO.	
DRAWING TITLE			
KURA UNIT - 2000 x 450 x 800 MM			
DRAWN	DATE	PRODUCTION	DATE
CFG	27-MAY-2021		
CHECKED	DATE	APPROVED	DATE
A3	SHEET	DRAWING SCALE	REV
	1 OF 1	1 : 15	a.0



NOMI
ALL RIGHTS RESERVED
THIS DRAWING IS COPYRIGHT AND REMAINS THE PROPERTY OF
NOMI. THIS DRAWING IS ISSUED IN CONFIDENCE, AND
MAY NOT BE ALTERED, COPIED, TRANSFERRED, SOLD OR
OTHERWISE DISCLOSED WITHOUT WRITTEN PERMISSION
FROM NOMI.

NOMI

Suite 508
19A Boundary St,
Rushcutters Bay, NSW
Australia, 2011

1

2

3

4

B

B

A

A