

1

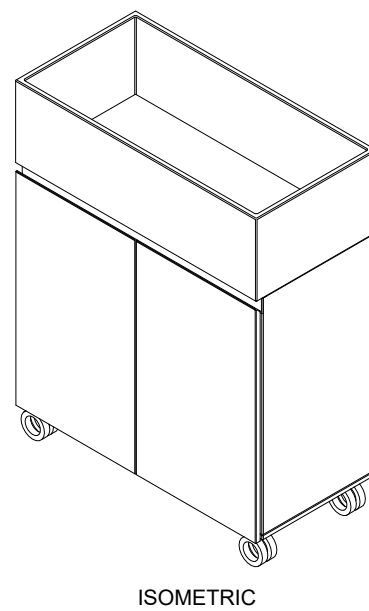
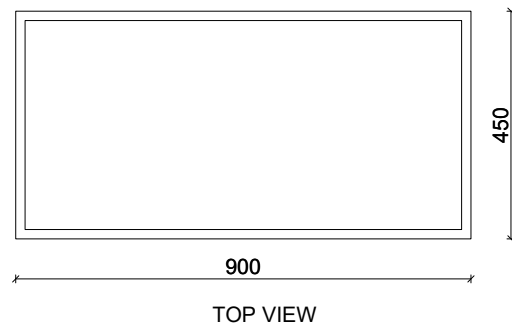
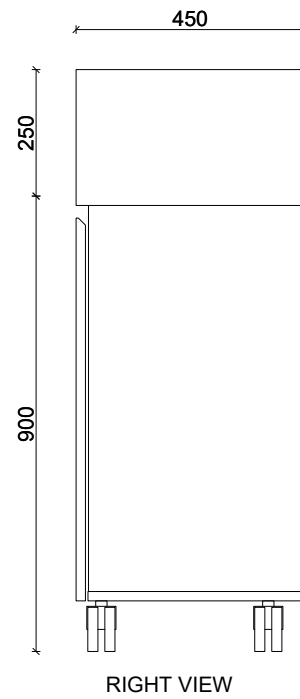
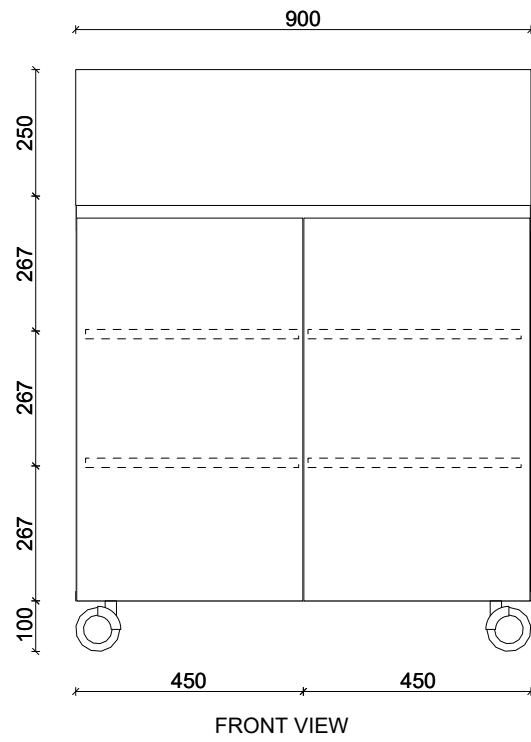
2

3

4

NOTES:

- 1. BAY 1: DOOR
- 2. BAY 2: DOOR



CLIENT

PROJECT NO. / NAME

PRODUCT CODE	DRAWING NO.
--------------	-------------

DRAWING TITLE

KURA UNIT - 900 x 450 x 900 MM

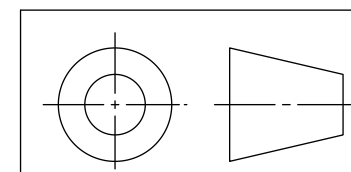
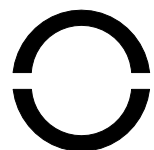
DRAWN	DATE	PRODUCTION	DATE
-------	------	------------	------

CFG	27-MAY-2021		
-----	-------------	--	--

CHECKED	DATE	APPROVED	DATE
---------	------	----------	------

A3	SHEET	DRAWING SCALE	REV
----	-------	---------------	-----

1 OF 1	1 : 15	a.0
--------	--------	-----



NOMI  
ALL RIGHTS RESERVED  
THIS DRAWING IS COPYRIGHT AND REMAINS THE PROPERTY OF  
NOMI. THIS DRAWING IS ISSUED IN CONFIDENCE, AND  
MAY NOT BE ALTERED, COPIED, TRANSFERRED, SOLD OR  
OTHERWISE DISCLOSED WITHOUT WRITTEN PERMISSION  
FROM NOMI.

**NOMI**

Suite 508  
19A Boundary St,  
Rushcutters Bay, NSW  
Australia, 2011

1

2

3

4

B

B

A

A