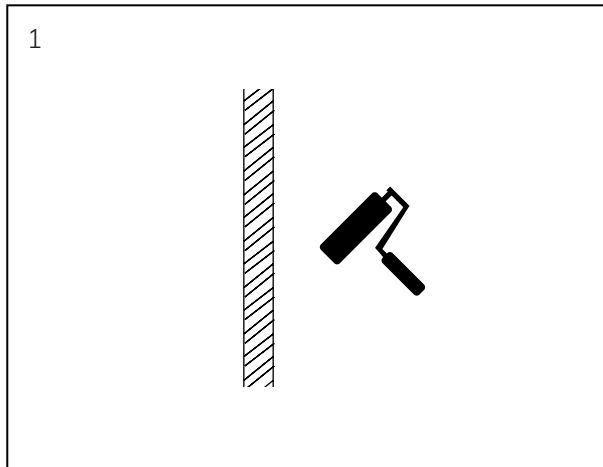
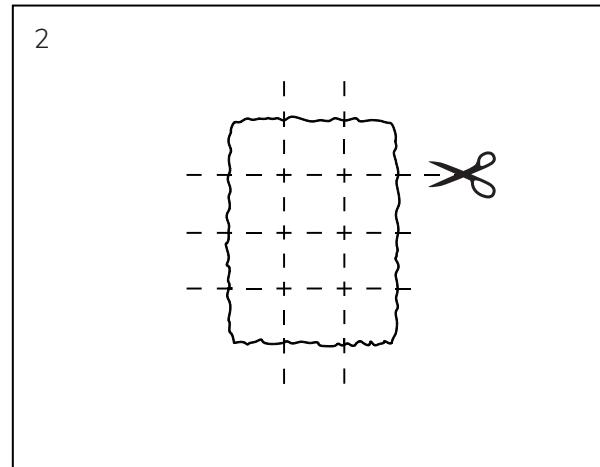


INSTALLATION GUIDE

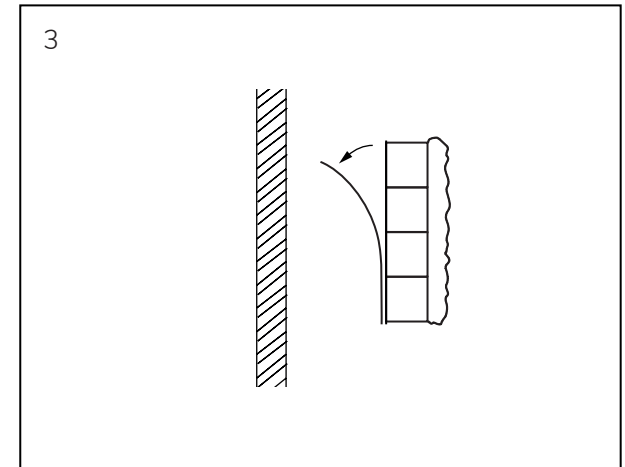
PRODUCT: PIXEL



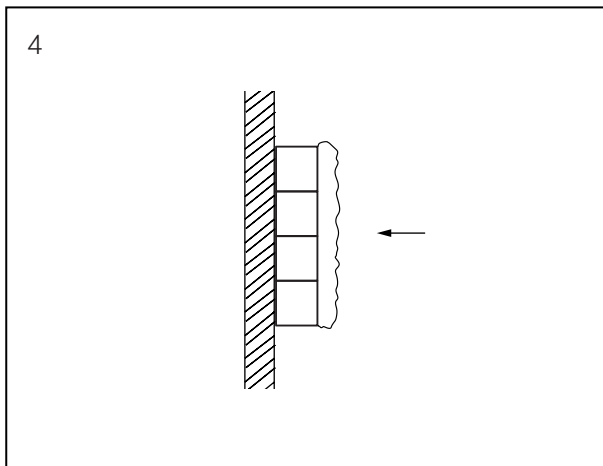
1
Recommended: Wipe wall clean and apply primer.
Let dry for 20 min. Result should be slightly sticky.



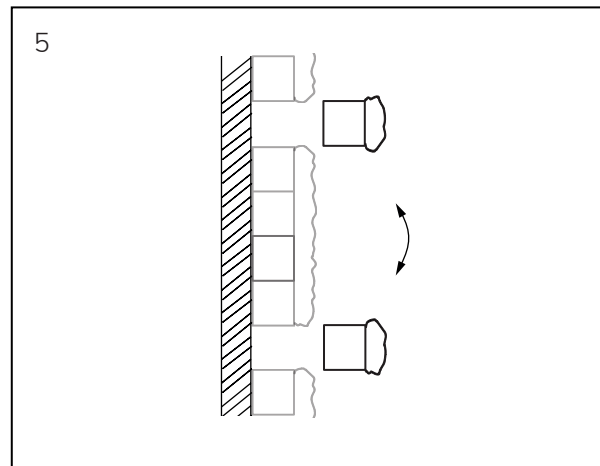
2
Optional: Cut Pixel pads into smaller amounts.



3
Peel off protective cover.



4
Push firmly.



5
In case of natural colour variations between
cartons, switch around some Pixels.

TECHNICAL INFORMATION

PRODUCT: PIXEL

Installation

Surface Preparation

The wall surface should be cleaned, dry, structurally sound and free of grease, mildew or other stains. Apply one coat of primer and leave to dry for 20 min

Adhesive Liner

After peeling off the protective liner to uncover the adhesive layer, exposure of the adhesive to ambient conditions should be minimized as initial adhesive tack may decrease.

Applying Pressure

Hard pressure is necessary directly after installation. Approximately 310 grams per square centimeter (4.5 pounds of force per square inch) is recommended to increase adhesive contact, improving bond strength.

Application

The Adhesive must be slightly rolled onto the surface to create full surface contact

Difficult Surfaces

The fasteners may also be mechanically attached to difficult to adhere to surfaces by using staples/nails/screws on the corners of the fastener. The screw/nail head should be sufficiently flat and large in order to resist pull

Adhesive Specifications

Type

Hot melt adhesive, artificial rubber based. Conforms to 21 CFR 175.105 for FDA indirect food contact.

Application

Best bonding results are at a surface & adhesive temperature of approx. 20 °C / 68 °F

Surface Materials

The adhesion is good on almost all materials, limited application on PVC. The surface to be bonded must be free of grease, loose particles, textiles, silicone, surface contaminants and moisture. In addition the surface must be suited to the adhesive, not too uneven, weathered, brittle, too soft, too unstable, saturated with softeners furnished with flaking of glue-resistant lacquers or coats of paint. For metal / aluminium, the surface must be pre-treated with acetone. For lacquered surfaces and plastics, the surface must be treated with lighter fuel.

Storage

Dry, dust-free, dark area, up to max. Temperature of 25°C / 77 °F. In suitable storage the shelf life is approx. 12 months.

Removal

Useful solvents are eg. lighter fuel, acetone, ethyl acetate. Test the suitability of the surface before application. Most important for lacquer and plastic surfaces.

Tolerable Temperature Range

Approx. -30 °C / -22 °F up the 93 °C / 200 °F (short time). Softening point at approx. 85 °C / 185 °F.