

TECHNICAL CHARACTERISTICS

SCLPABN

Clip

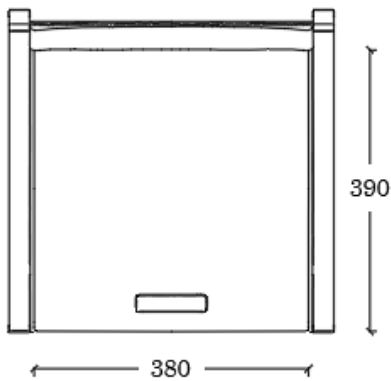
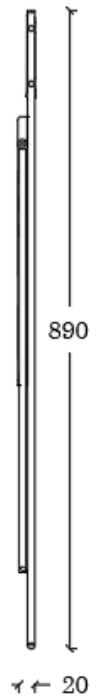
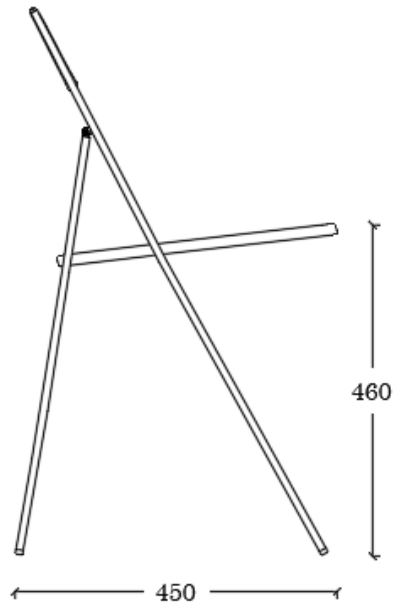
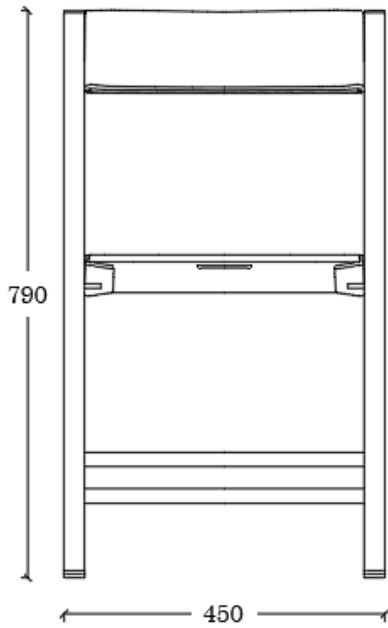
Chair

Beauty and comfort in the minimum space. Taking advantage of space has become a need... the Clip chair respects this maxim, brings beauty, functionality and comfort all together, with a screened, flexible fabric back.

DESIGNED BY ONDARRETA TEAM



ondarreta



DIMENSIONS

45 cm x 45 cm x 79 cm x 45 cm (17,7" x 17,7" x 31,1" x 17,7") [width x depth x height x seat height]

WEIGHT

5,6 kg (12,3 lb)

PACKAGING

Two chairs per box, box dimensions:
92 cm x 47 cm x 7 cm (36,2" x 18,5" x 2,8")

CERTIFICATION

Product tested under the standard
ANSI/BIFMA X5.1-2002

ACCESORIES

Wall hanger

ORIGIN

100% Fabricated in Europa

DESIGN

Ondarreta Team

*Minimum order: two units



COMPONENTS

FRAME

Material

10 x 30 mm (0,4"x 1,2") sides and 2 mm (0,08") thickness cold laminated rectangular E-220 quality (EN-10305 Normative) steel tube.

Tensile Strength > 310 N/mm² (44,960 psi);

Elastic Limit > 220 N/mm² (31,900 psi); Elongation > 23%

Finish

Aluminum epoxy

SEAT

Beech

Beech plywood board shell, 10 mm (0.4") thick. It's made with nine especially treated sheets, glued, pressed and CNC machined.

Technical characteristics:

Urea-formol glue: low formaldehyde emission (E1 European Normative)

The wood has the PEFC certificate.

Finish

Stained or lacquered.

BACK

Screen

Screen® double mesh. It's polyester and PVC made technical fabric. It has very good mechanical properties and is suitable for external use.

Technical characteristics:

Composition: 70% PVC, 30% Polyester; Thickness: 0,92 mm;

Elongation: 15-21 % (EN-ISO 1421);

Grazing resistance (Martindale method BS-5690) > 100.000 cycles;

Light resistance (Xenon) (EN-ISO 4892-2): 8th class (min=1, Max=8);

OEKO-TEX label



METAL FINISHES

EPOXYS

Powder covering formulated with polyester resins, with good both mechanical and chemical properties, outdoor maximum resistance and noxious compounds free. Electrostatic application and oven cured at 200°C (392°F).

Technical characteristics:

Thickness (ISO 2360): between 60 and 90 µm.

Adherence (ISO 2409): Grade: 0 (maximum adherence)



WOOD FINISHES

STAIN

Pigmented enamel with a transparent stain coating. Reactive drying paints: excellent adherence between layers and better mechanical resistance.

LACQUER

Pigmented reactive drying lacquers.

Technical characteristics:

Satisfying UNE-EN 71-3 normative; Formaldehyde free compounds.