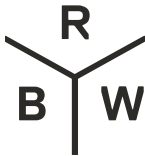


# Branch Pendant



Pendants

50 Greene St  
New York NY 10013  
T +1 212 388 1621  
sales@rbw.com



For 2D & 3D drawings of all products, including CAD, Revit and IES files, please visit [rbw.com](http://rbw.com)

Generate Date: Fri Oct 20 2023

**DESCRIPTION**

Perforated metal shells sit comfortably atop diffuser lenses, in this family of lights. This fixture is available in a variety of warm anodized finishes and warm color temperatures, adding atmosphere to any space.

**MATERIALS**

Perforated anodized aluminum, acrylic lens

**PERFORMANCE**

Medium: 435 lm | Large: 870 lm

Power Consumption for Medium 18W | Large 37W

Luminaire Watts for Medium 18W | Large 37W

Large 23 lm/W | Medium 23 lm/W

90 CRI

**LED LIFESPAN**

50k hours

**CERTIFICATION**

UL Listed

Suitable for Damp Locations

IP44

**NOTE ON IMAGERY**

All product photos are made using the correlated color temperature (CCT) of 2700k. The actual color temperature experienced within your environment may vary based on other light sources and materials present.

**SUSPENSION**

White 5" round flat canopy  
Standard 72" cable  
Standard Hang Height 66"  
Minimum Hang Height 6"  
Cable extension available (up to 150")  
Field trimmable

**PRODUCT DIMENSIONS**

Medium 3 x 3 x 24 in H | Large 3 x 3 x 46 in H

**PRODUCT WEIGHT**

8 lbs / 3.6 kg

**DIMENSIONAL WEIGHT**

Medium 8 lbs | Large 16 lbs

---

**YOUR PRODUCT CODE**

**BREP-**  -  -  -  -  -  -

---

Specification Logic

**SIZE**

---

Medium	M
Large	L

**SHADE FINISH**

---

Natural Anodize	AA01
Gold Anodize	AA03
Black Anodize	AA04

**COLOR TEMPERATURE**

---

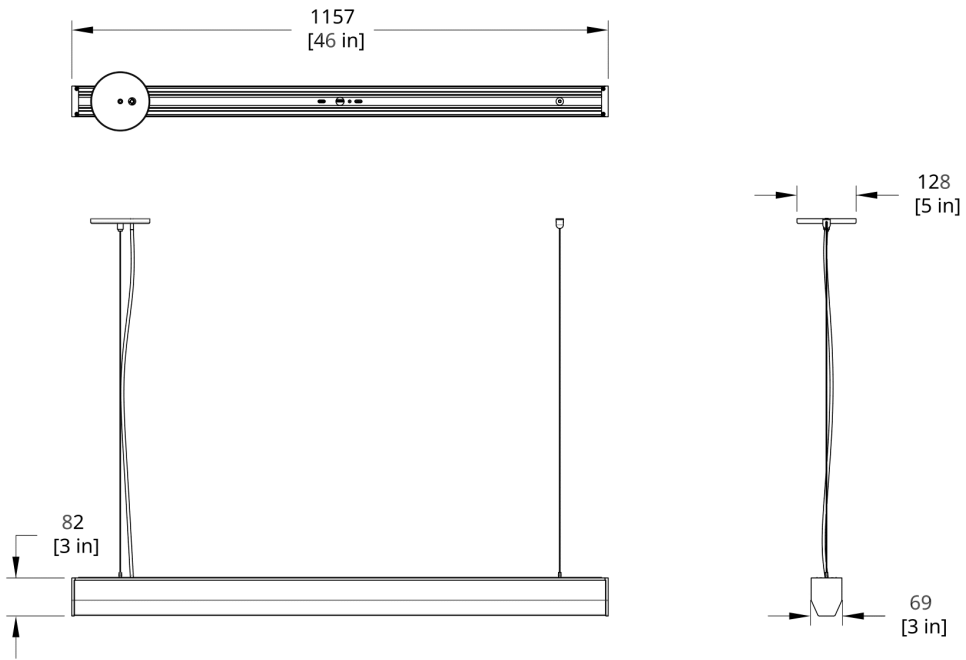
2700K (warm white)	27
3000K (soft white)	30
3500K (neutral white)	35
4000K (cool white)	40

**DIMMING / CONTROL / INPUT**

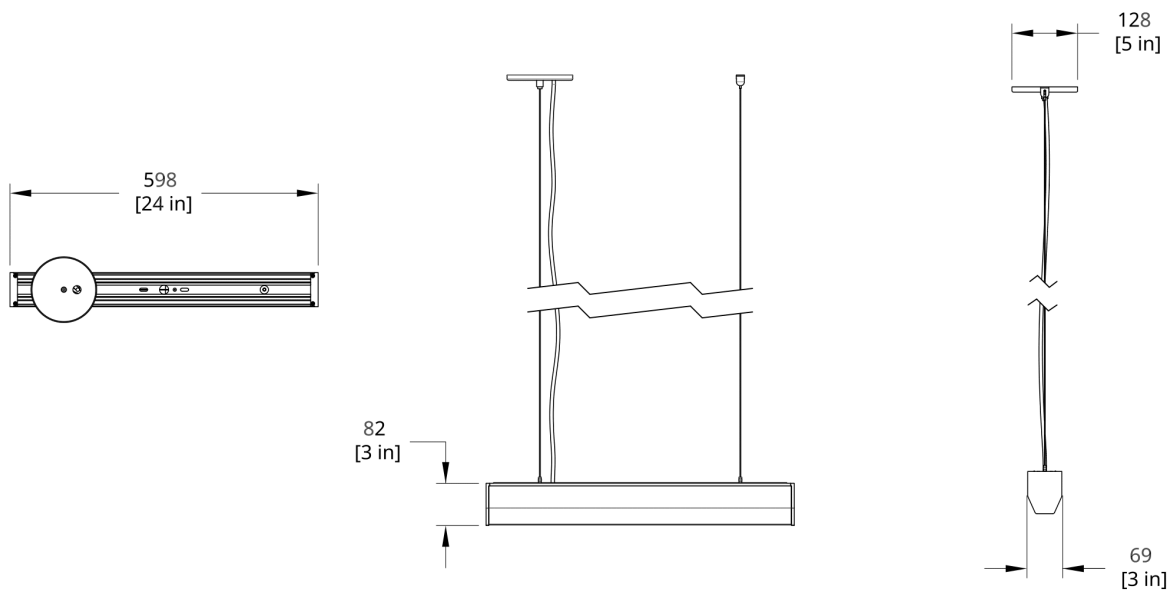
---

0.1% Dimming, 0-10V Control, 120V or 277V "Universal Input"	0.1_10V_UNV
1% Dimming, 0-10V Control, 120V or 277V "Universal Input"	1_10V_UNV
1% Dimming, TRIAC / Forward Phase Control, 120V Input	1_TRIAC_120V

Drawings



BREP-L Branch Pendant Large Dimension



PREP-M Branch Pendant Medium Dimension