



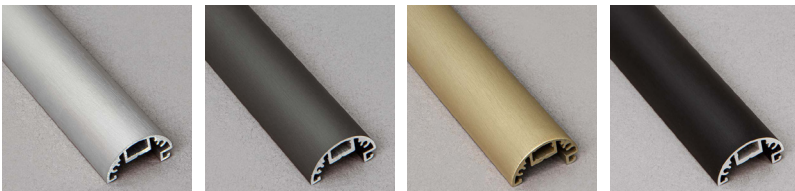
FORMATION CHANDELIER

The core design is a custom set of interlocking extruded aluminium profiles. The light source is a high-powered LED with a matte polycarbonate diffuser. A marble tip and highly refined details evoke a subtle sense of luxury.

SPECIFICATIONS

WARRANTY	12 Months	LIGHT SOURCE	24V warm white (3000K) LED
MOUNTING	Ceiling	VOLTAGE	24V
WEIGHT	2.5kg (1880L)	CORD	Black fabric covered
ENVIRONMENT	Indoor	SUPPLY INCLUDED	Yes -240V (AUS/NZ) / 120V(US) to 24V
MATERIALS	Anodised / Powder coated Aluminium Solid Marble Matte White polycarbonate diffuser	LED LUMENS	2300 LM per metre

BODY FINISH OPTIONS

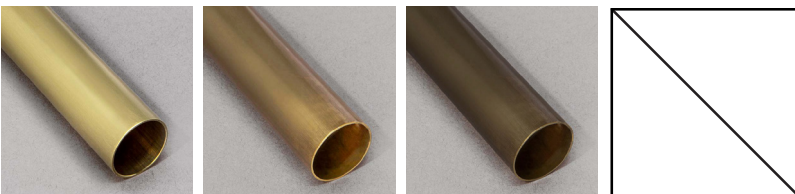


BRUSHED SILVER
ANODISED

DEEP SEA
ANODISED

BRUSHED GOLD
ANODISED

BRUSHED BLACK
ANODISED

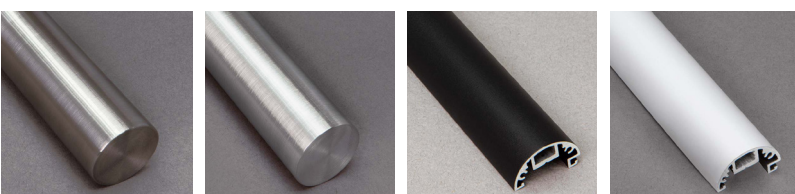


BRUSHED
BRASS

AGED
BRASS

BRONZED
BRASS

CUSTOM
FINISH



BRUSHED
STAINLESS

BRUSHED
ALUMINIUM

POWDER-COAT
BLACK

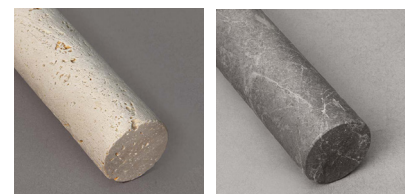
POWDER-COAT
WHITE

MARBLE TIP END OPTIONS



VERDE
GUATEMALA

NERO
MARQUINA



UNFILLED
TRAVERTINE

HERMES
GREY



ARABESCATO
WHITE

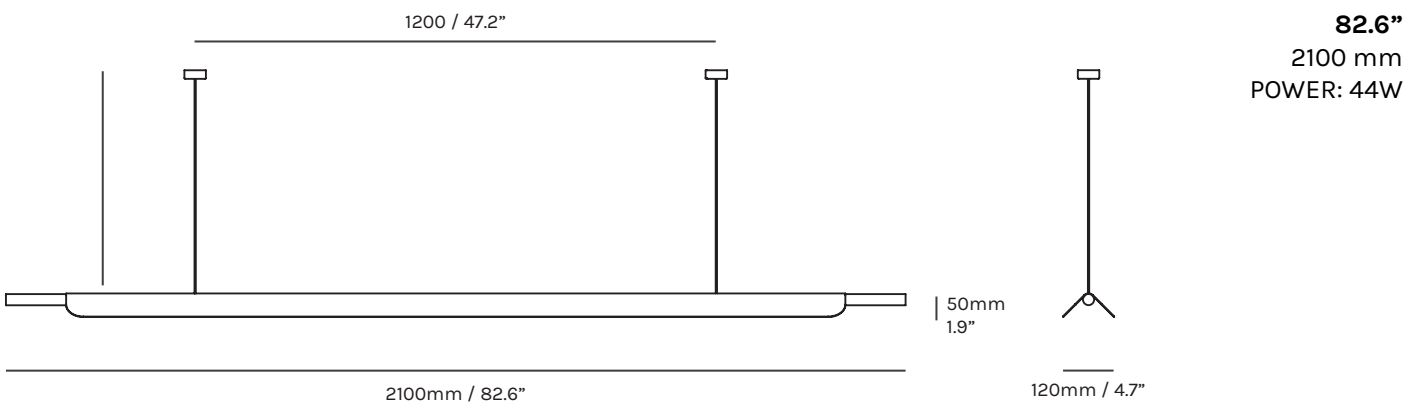
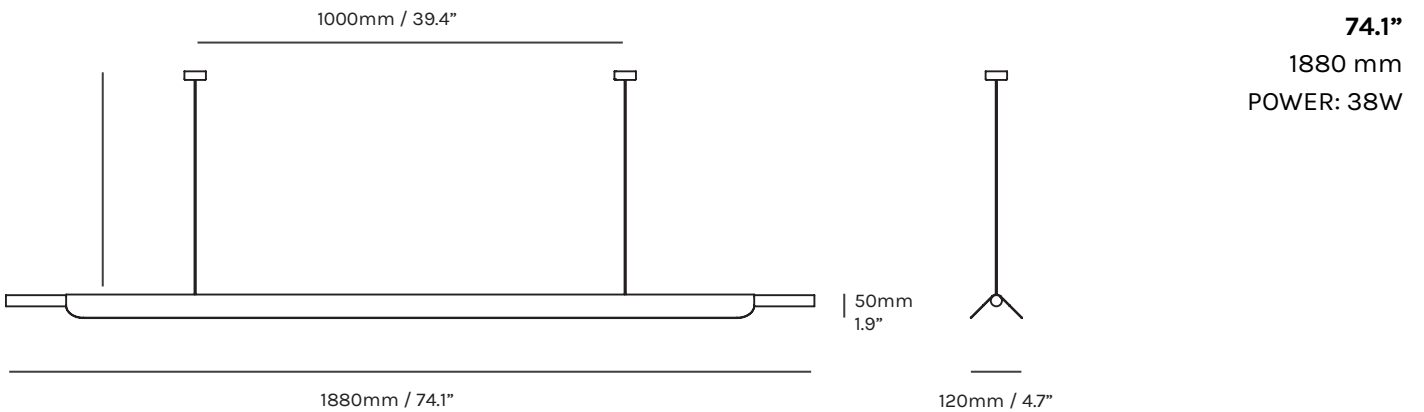
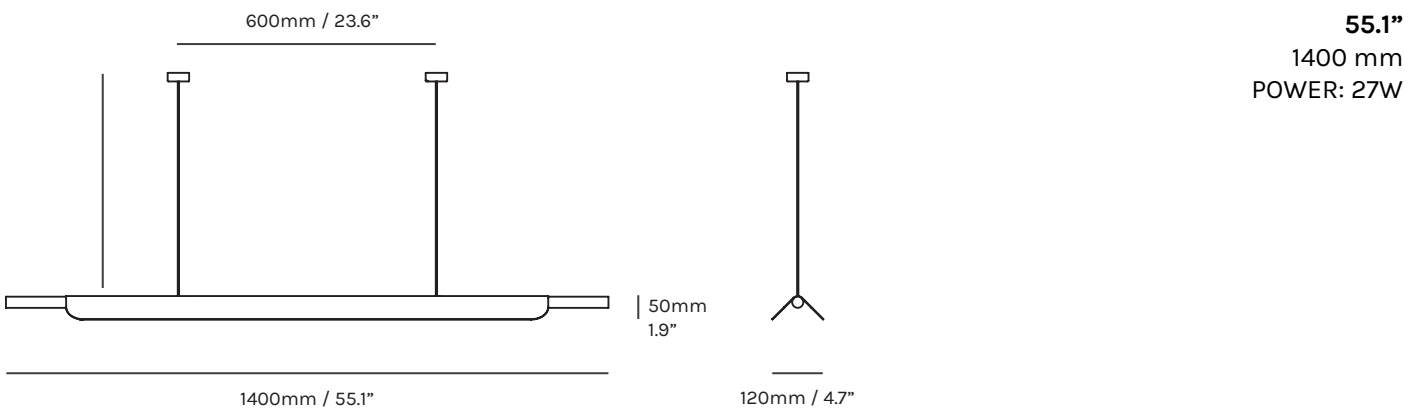
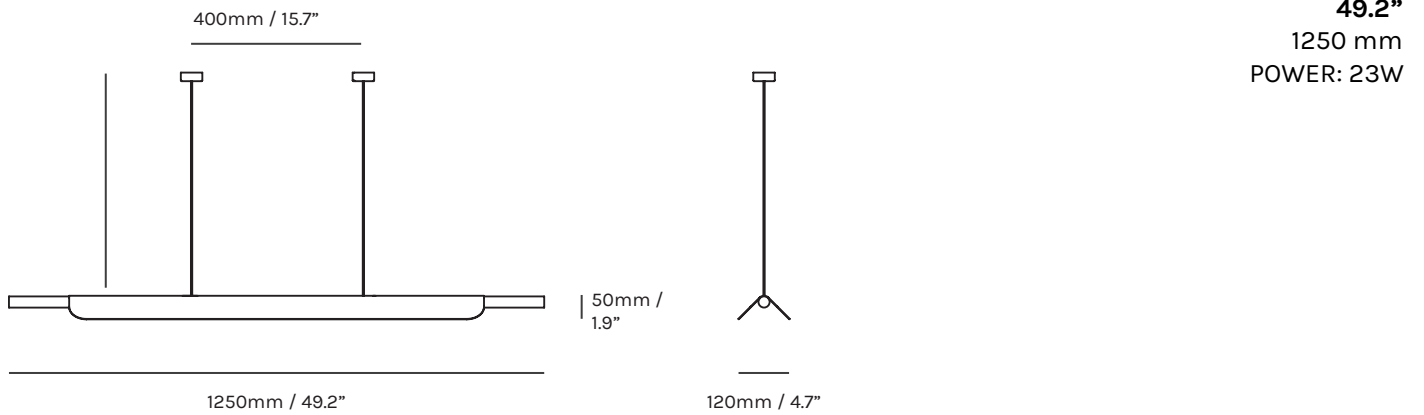
CALACATTA
VIOLA

B-TD

Technical Specifications

SIZING OPTIONS

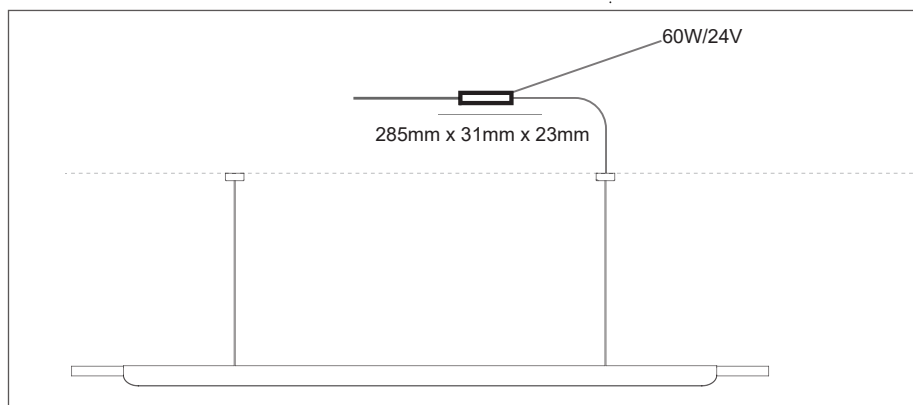
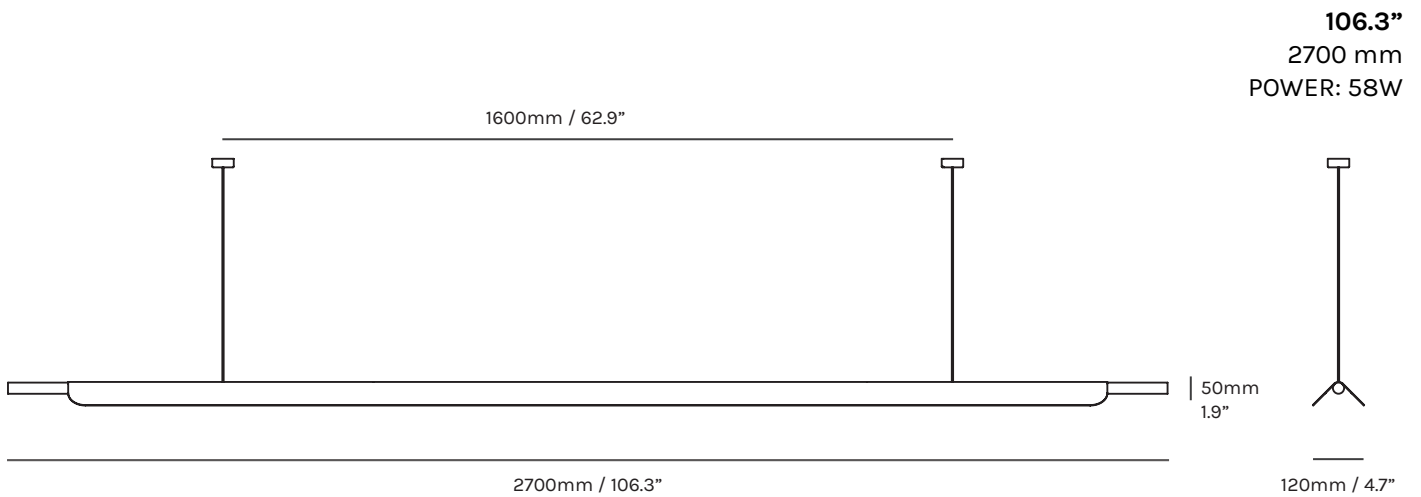
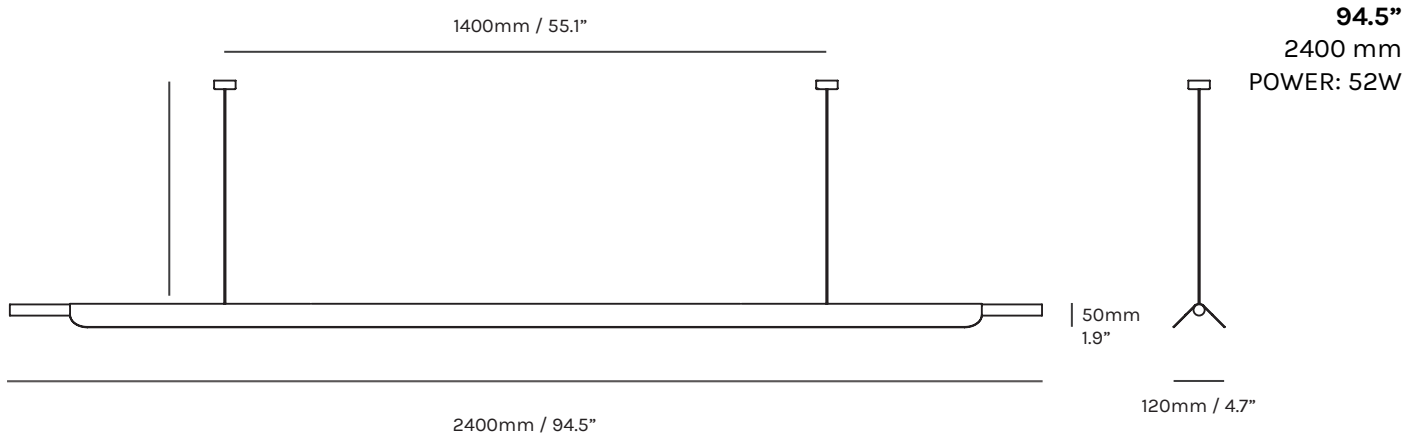
1500mm / 59" Adjustable cable drop



B-TD

Technical Specifications

SIZING OPTIONS

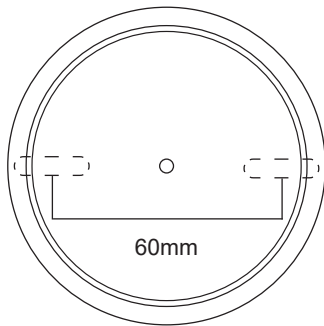


INSTALLATION

Driver stored in ceiling cavity

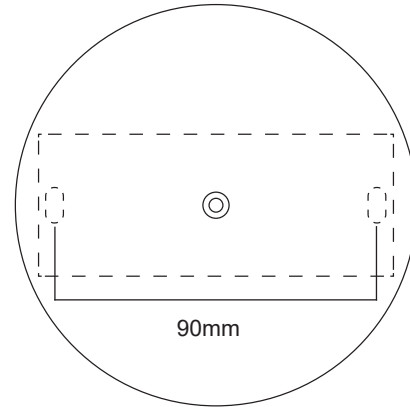
CANOPY SPECIFICATIONS

Seamless Canopy
(Standard)



80mm
(3 Inch)

Large Canopy
Option for US orders



125mm
(5 Inch)

SEAMLESS CANOPY



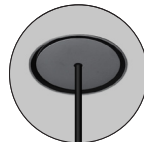
80mm
(3 Inch)

INSTALLATION STYLE

Surface



Flush Mount



COLOUR

Black



White



STANDARD US CANOPY

(Fits 4" US Octagon Junction Box)



120mm
(5 Inch)

INSTALLATION STYLE

Surface



Flush Mount



COLOUR

Black



White

