



## REFLECTOR LINEAR PENDANT

Light is cast onto a floating reflector, washing the room with a soft indirect light.

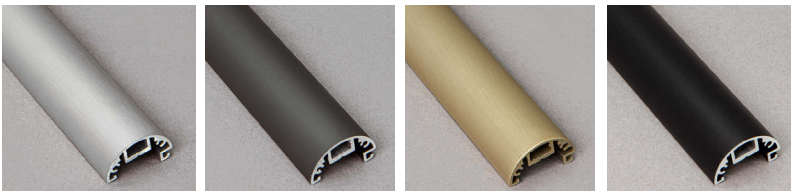
Made from precisely machined aluminium components, the reflector is then finished in a super matte powder coat or clear anodised.

The other parts are finished in a tactile anodised coat, revealing the grain of the aluminium beneath the surface.

### SPECIFICATIONS

WARRANTY	12 Months	LIGHT SOURCE	24V warm white (3000K) LED
MOUNTING	Ceiling	VOLTAGE	24V
WEIGHT	2.5kg (1800L)	CORD	Black fabric covered
ENVIRONMENT	Indoor	SUPPLY INCLUDED	Yes -240V (AUS/NZ) / 120V(US) to 24V
MATERIALS	Anodised / Powder coated / Aluminium	LED LUMENS	2300 LM per metre (Some loss of Lumens occurs with reflected light source).

### BODY FINISH OPTIONS

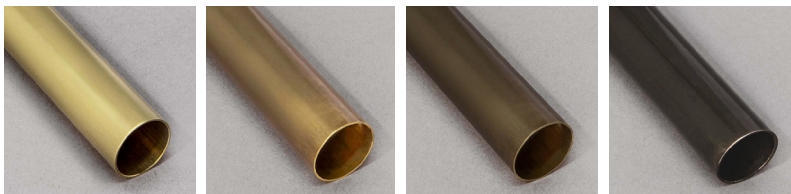


BRUSHED SILVER  
ANODISED

DEEP SEA  
ANODISED

BRUSHED GOLD  
ANODISED

BRUSHED BLACK  
ANODISED



BRUSHED  
BRASS

AGED  
BRASS

BRONZED  
BRASS

BLACKENED  
BRASS



BRUSHED  
ALUMINIUM

POWDER-COAT  
BLACK

POWDER-COAT  
WHITE

CUSTOM  
FINISH

### FIN FINISH



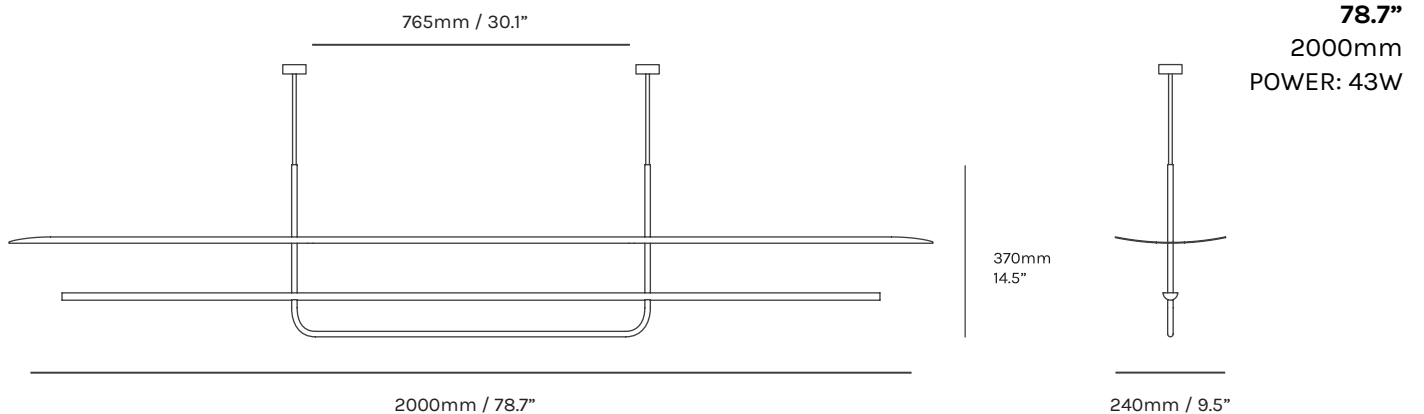
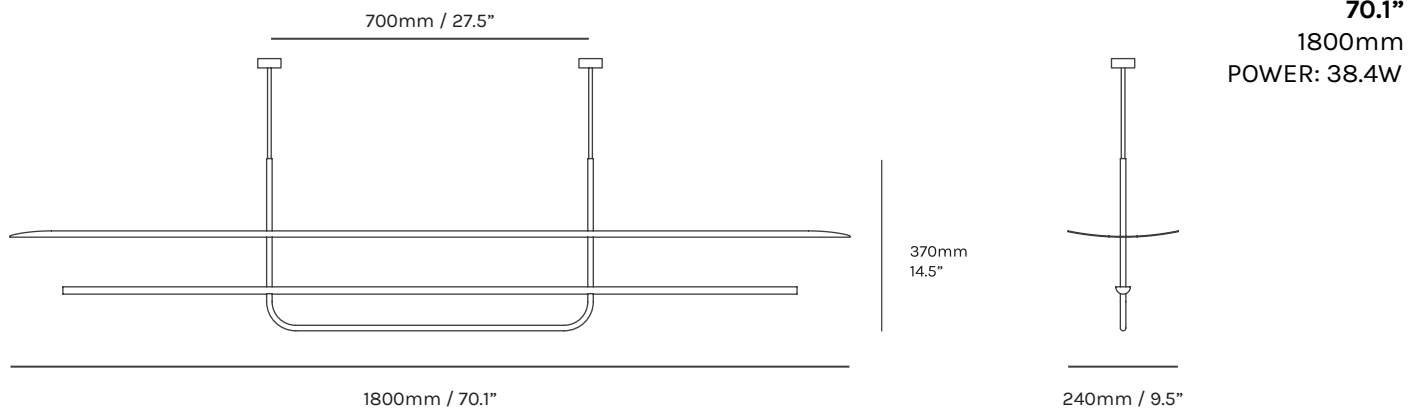
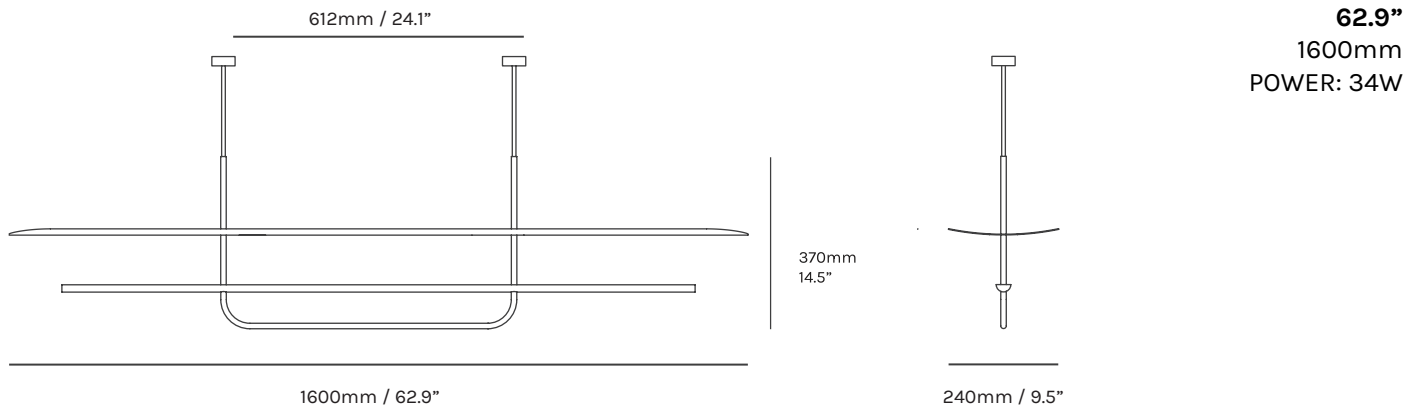
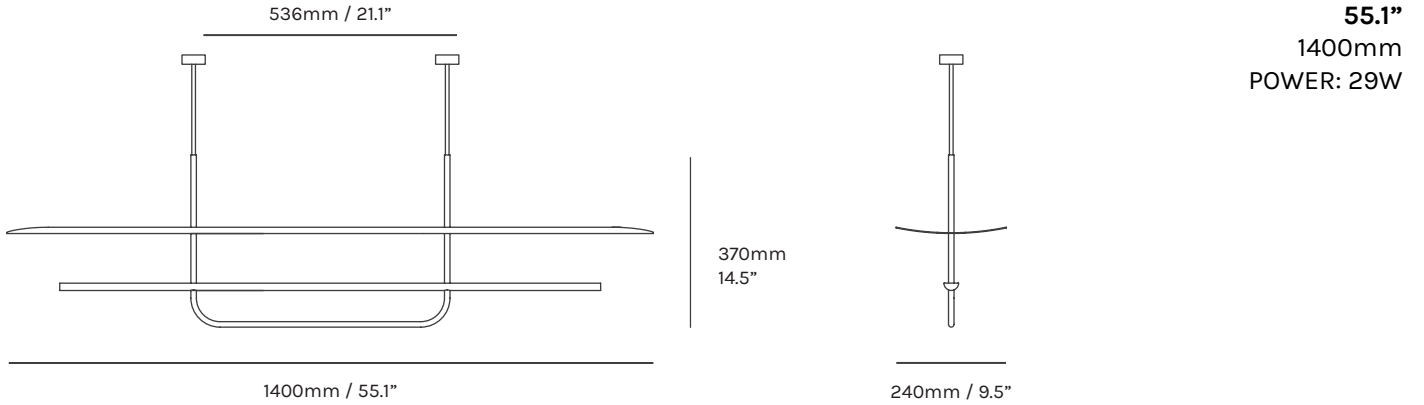
POWDER-COAT  
WHITE

# B-TD

Technical Specifications

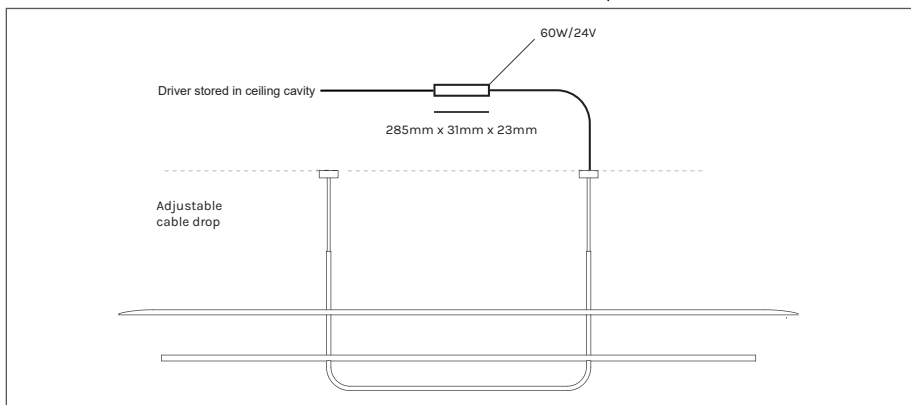
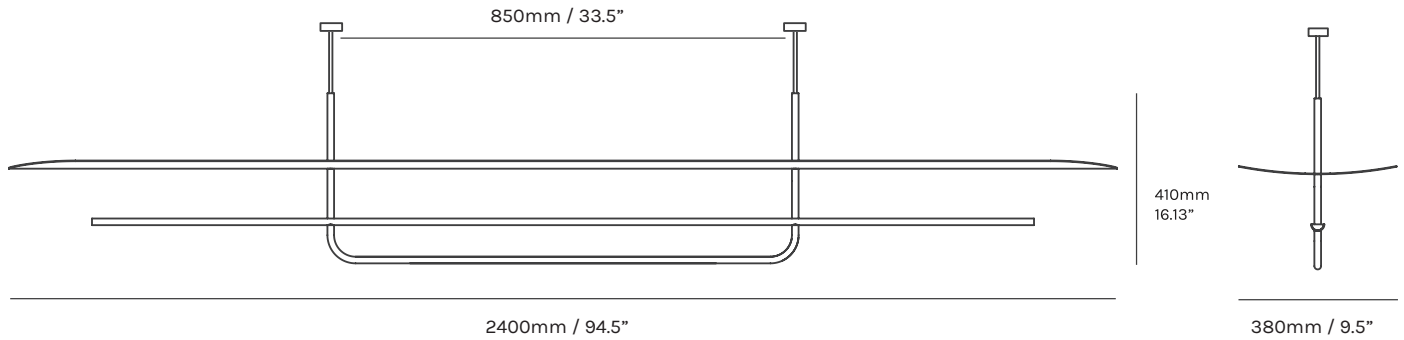
## SIZING OPTIONS

1500mm / 59" Adjustable cable drop



## SIZING OPTIONS

**94.5"**  
2400mm  
POWER: 48W

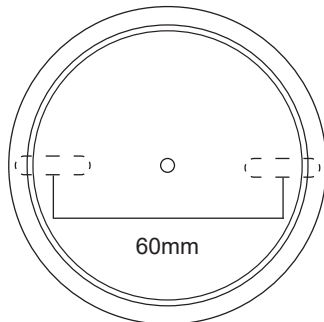


## INSTALLATION

Driver stored in ceiling cavity

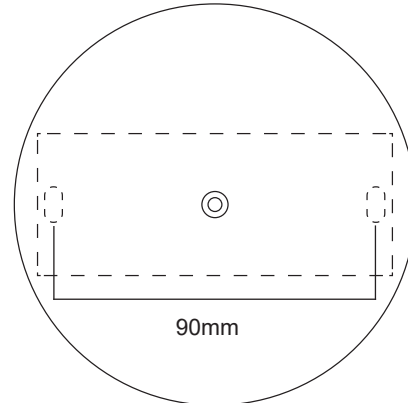
## CANOPY SPECIFICATIONS

Seamless Canopy  
(Standard)



80mm  
(3 Inch)

Large Canopy  
Option for US orders



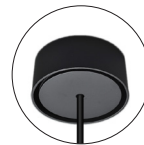
125mm  
(5 Inch)

## CANOPY STYLE



### COLOUR

Black



White



### INSTALLATION STYLE

Surface



Flush Mount

